



JACK MOTORIZATION FOR SWINGING GATES

UP TO 1.8 M – 200 KG PER LEAF



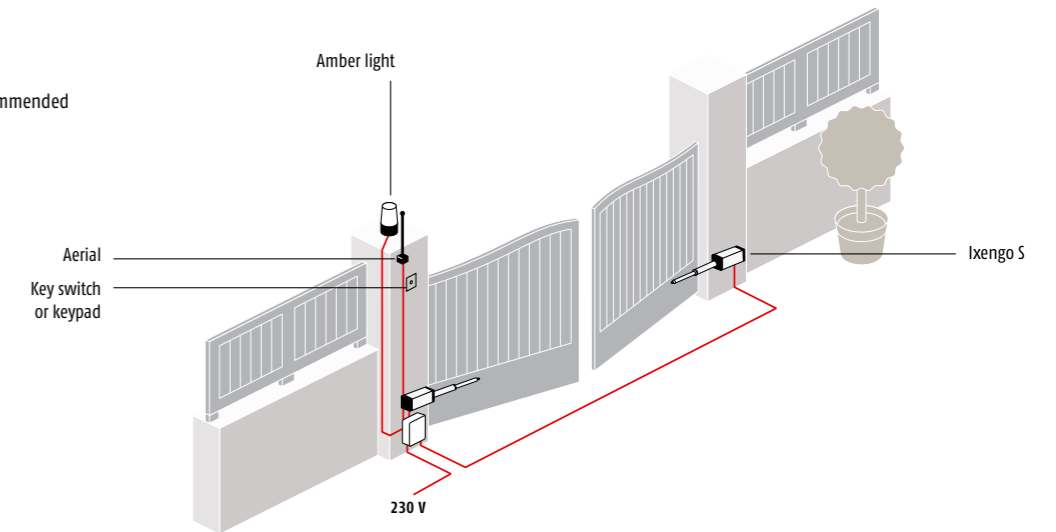
Mechanical external declutching system

- **Robustness:** for leaf up to 200 kg and 1.8 m in residential or commercial.
- **Self learning programming system:** autoregulation of speed and torque in relation with the gate weight (24V version only).
- **Intuitive programming interface:** direct view on a large LCD screen to facilitate parameters modification (24V version only).
- **Backup battery pack (option)** in case of power failure (24V version only).
- **Mechanical declutching system** to open the gate with hand.

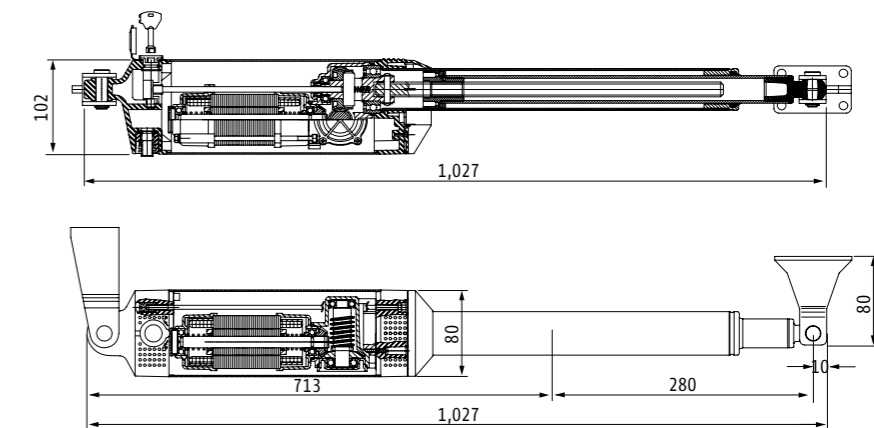
TECHNICAL CHARACTERISTICS	IXENGO S 24	IXENGO S 230
Motor power supply	24 Vdc	230 V ± 10% 50 Hz
Power consumption	40 W	210 W
Capacitor	NA	6.3 µF
Absorbed current	1.5 A	0.8 A
Push and pull force	2,000 N	
Working stroke	280 mm	
Stem speed	14 mm/s	12 mm/s
Max. number of operations/day	60	
Max. leaf length	1,800 mm	
Max. leaf weight	200 kg	
Operating temperature	-20°C to +60°C	
Protection factor	IP 44	
Number of remote controls that can be memorized	36	

TYPE OF INSTALLATION

The diagram indicates the accessories recommended to install a motorization system.



GENERAL OVERALL SIZE



PACKS

										Packs per pallet
	Ixengo S 24 motor ref. 1216159	Ixengo S 230 motor ref. 1216161	Control system FX 24 ref. 1841066	Control system FX 230 ref. 1841067	Keygo RTS 4 channels ref. 1841064	24 V integrated flashing amber light ref. 9014377	230 V integrated flashing amber light ref. 9015034	Photoelectric cells ref. 9014994	RTS outdoor antenna 3 m	
Ixengo S 24 standard pack ref. 1216217	● (2x)	-	●	-	● (2x)	-	-	-	●	8
Ixengo S 24 comfort pack ref. 1216224	● (2x)	-	●	-	● (2x)	●	-	●	-	8
Ixengo S 230 standard pack ref. 1216219	-	● (2x)	-	●	● (2x)	-	-	-	●	8
Ixengo S 230 comfort pack ref. 1216226	-	● (2x)	-	●	● (2x)	-	●	●	●	8

OPTIONAL ACCESSORIES

Radio Keypad Metal RTS France - ref. 1841111 International - ref. 1841116	Backup battery ref. 9014611	• Adjustable fixing bracket short version ref. 9014609 • Adjustable fixing bracket long version ref. 9014610