

# Levixo 230 V RTS



Motorization for road barriers

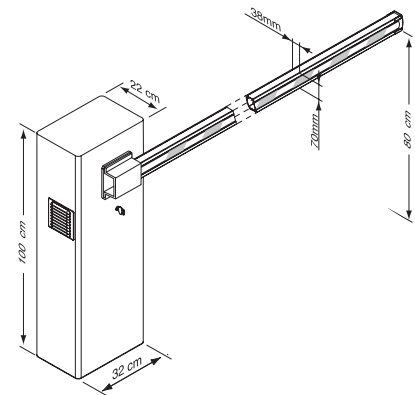
UP TO 6 M



Levixo 230 V

Road barriers robust, durable and suitable for intensive use.

- Self-learning
- Hand operation from outdoor with key
- Suitable for intensive use up to **1200 cycles/day**
- **General overall size:**



TECHNICAL CHARACTERISTICS	LEVIXO 30 RTS	LEVIXO 50 RTS
Motor power supply	230 V ± 10% 50-60 Hz	
Motor	230 V	
Accessory supply output	24 V / 180 mA	
Maximum number of operations per day	1200	600
Number of channels	36	
RTS remote control frequency	433.42 MHz	
Motor torque	85 Nm	250 Nm
Operating temperature	-10°C to +55°C	
Tested for	2 million cycles	1 million cycles

## Accessories



Anchor base for barrier foundation

Ref. 9017043



Boom rest fork

Ref. 9017044



Photocell mounting columns

Ref. 9017210



Protection rubber for boom

Ref. 9017045